

TIDD

CRANE IIII



TIDD PC28-2

TRT
MADE
POSSIBLE



TIDD PC28-2 is the better experience for capability, safety, comfort, and value.

The TIDD PC28-2 is the better pick and carry crane experience. Constructed using the highest quality components, prioritising safety and performance throughout its design, the TIDD PC28-2 is the right crane for a wide range of operating environments with many class-leading features:

- **European standard automotive finish**
- **Outstanding turning radius**
- **Smooth Operator Control**

Full Power Boom

With the 18.65m full power boom, a 75% stationary chart for the heavy lifts and 66% pick and carry chart, the TIDD PC28-2 packs a massive punch. Made from high tensile steel, telescope sections 1 and 2 are fully synchronised and provide hook compensation. Telescope sections 3 and 4 are independently operated with their own hydraulic cylinder.

Huge Lift Capability

With a 28-tonne maximum lift on the lug and 27.6 on the hook block, The TIDD PC28-2 delivers outstanding lifting capacities for improved efficiency and greater lift options, setting a new benchmark in the industry. Moving from the stationary chart to the pick and carry chart is as simple as turning off the hold brake. You can now lift more and move more safely without compromise!

With its new powerful front suspension cylinders, the TIDD PC28-2 delivers up to 17% more capacity when articulated or working on a side slope. The optional 1.1t Superlift counterweight will increase your lift capacity.

Focused on Safety

Designed to maximise operation safety, the TIDD PC28-2 will minimise risk on the work site and on the road. Safety features include Dynamic LMI with a deadlock switch inside the cabin and an LMI bridging switch outside the cabin. Slew Safe® is a critical safety component that is included with all TIDD PC28-2 cranes!

The innovative safety features of the TIDD Crane, including LMI bridging switch as standard, enables the TIDD PC28-2 to legitimately operate under EN13000 standards. This also means that the TIDD PC28-2 is the only pick and carry crane in its class with a 75% stationary lift chart.

Superior Roadability

Get from site to site with ease with a maximum speed of 80km per hour (speed limited) with reduced ambient noise. It has full ABS braking for improved safety, whether the crane is operating while stationary or at speed.

It is driven by a Mercedes Benz engine and ZF Transmission. With its superior suspension, the TIDD PC28-2 is 12 tonne per axle on the road including its 2.3 tonne removable counterweight. No IAP and no permits in NSW.

“We’ve been impressed with the performance of the TIDD. Its roadability is excellent, and it is a very comfortable drive. We’ve also been impressed with the crane’s compact nature.”

Chris Kolodziej, Managing Director of Cranes Combined

The Ultimate in Comfort

From the ergonomically designed forward mounted ROPS cabin, with two-door configuration and ducted air conditioning, to the 150kg rated air suspension seats and 3-point safety belts, this crane is designed for comfort over long hours, helping to reduce operator fatigue!

Manufactured for the Industry

TRT have been designing and manufacturing heavy equipment, cranes and trailers for over 55 years. With real expertise in crane design and manufacture, TRT is the home of the TIDD Crane.

Many of the TIDD PC28-2 features are designed based on industry and operator feedback, improving safety, lift control and capability, and by drawing on technology and knowledge from our renowned manufacturing ability and experienced team. TRT’s manufacturing operation is ISO9001-2015 accredited.

Service and Support 24/7

Upgrading your fleet to include TIDD PC28-2 is made simple and efficient for all operators and owners. We service and spare parts support, warehouse facilities and our network of experienced dealers throughout Australia and New Zealand. We are committed to support your operation and uptime, 24/7.

Operator Familiarisation

TRT has developed an exclusive and comprehensive operator familiarisation programme for trainer operators. The programme is designed to suit your schedule and location. Your team is supported with experienced TIDD Crane experts 24/7 with our new comprehensive video and is included with your TIDD Crane*.

*Conditions apply



Counterweight

2.3 tonne roadable counterweight. Optional Superlift counterweight available.



Emergency Stop Buttons

- Inside cabin
 - Either side of the crush zone in articulation area.
- LMI override key is located outside behind the cabin.



Articulation

Articulating 44° either side of centre for improved maneuverability, the best in its class!



ROPS Cabin

ROPS, 2-person cabin, seats have integrated seatbelts. Double door access. Optional FOPs for optimal protection.



Engine

Mercedes Benz OM906 six-cylinder, diesel engine.



Carry Deck

1 tonne capacity carry deck with restraint points.



Visibility

Mirrors are placed for optimised visibility and additional cameras are available for increased safety.



Dynamic LMI

Automatically reduces the lift chart for side slope.



Boom

6.12-18.65m high tensile full power boom with 4 telescope sections.



27.6 tonne capacity on running rope.

25 tonne capacity.

28 tonne capacity on fixed lug (stationary)

PC28-2 FEATURES

DIMENSIONS



CAPACITY

28 tonne capacity on fixed lug
27.6 tonne capacity on running rope

BOOM

6.12-18.65m high tensile steel
4 section full power boom

ARTICULATION

44° either side of the centre

SPEED

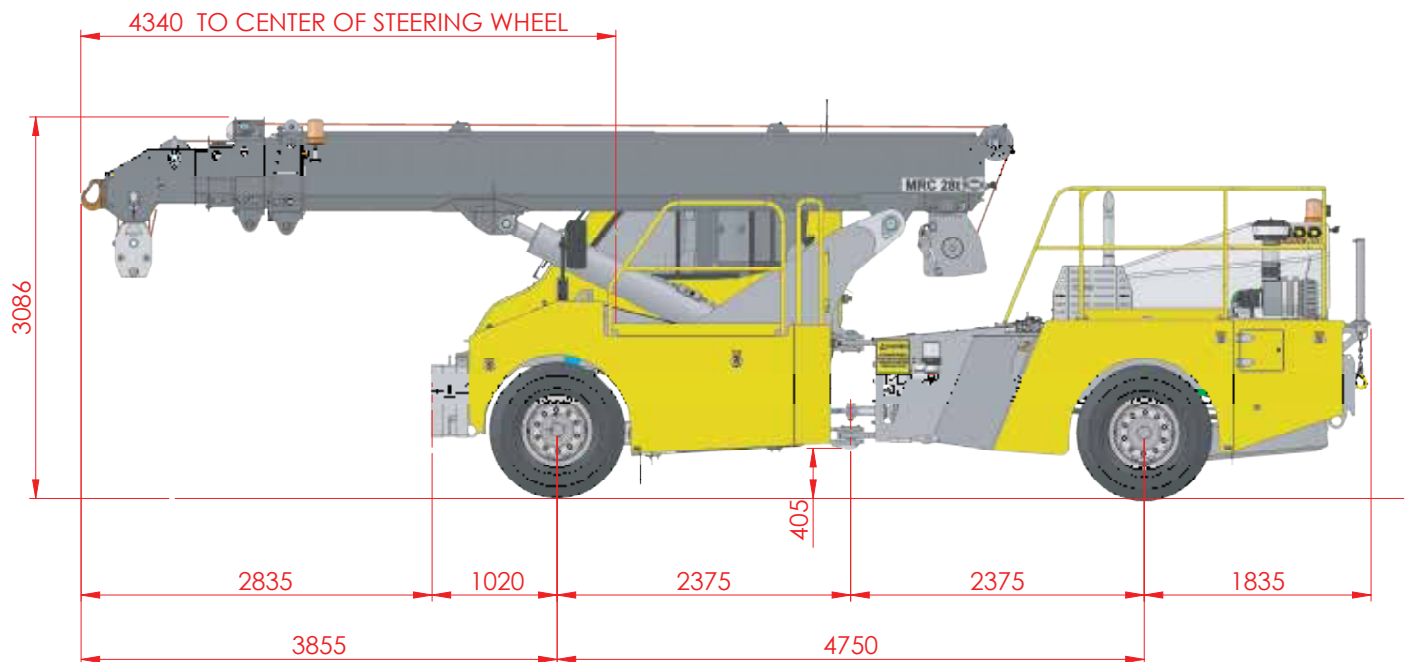
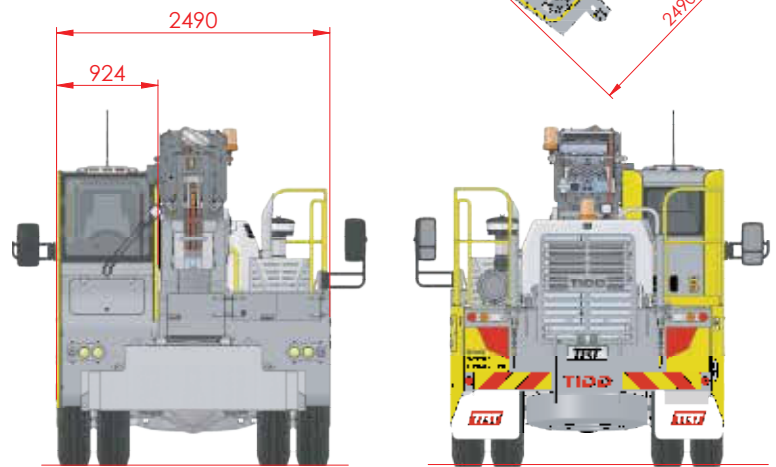
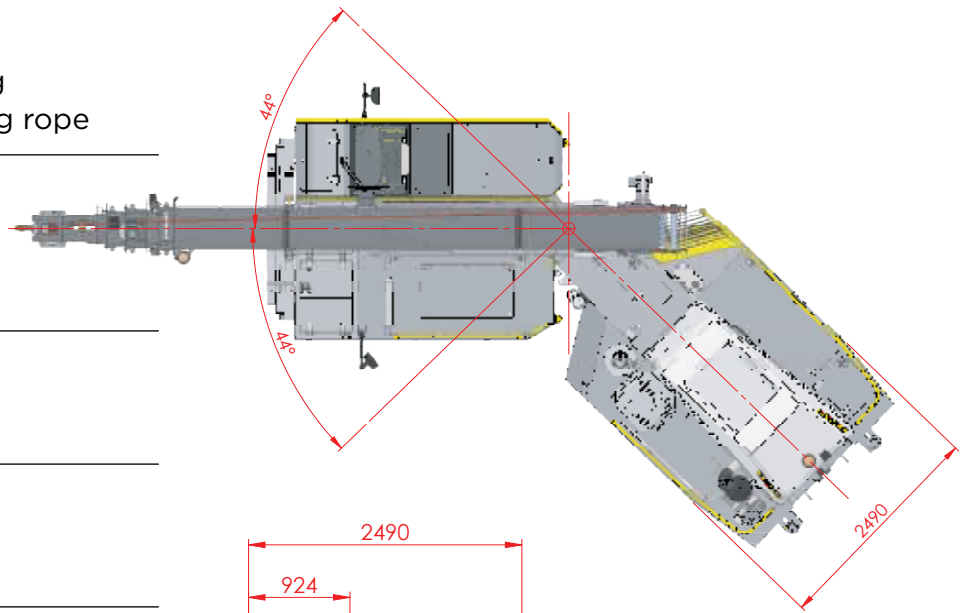
Max 80km/hr

MASS

Gross vehicle mass 23.9 tonne
Front axle mass 11.9 tonne
Rear axle mass 12 tonne

COUNTERWEIGHT

2.3 tonne roadable, front and rear mount



"The crane boasts an impressive load chart in a small package allowing us to go where other cranes cannot. The safety features and road-friendly suspension make this crane a favourite with our operators and our customers."

Mark Kuhn, Managing Director - Max Cranes

SLEW SAFE®

INCLUDED IN YOUR TIDD PC28-2



Slew Safe delivers peace of mind for drivers, dogman, crane owners and site owners, with improved safety, risk management and duty of care.

Slew Safe simply and effectively allows the TIDD PC28-2 and PC25 operator to pick and carry a load knowing that they will be warned and restricted. No other pick and carry crane is this safe.

HOW SLEW SAFE WORKS:

When the crane in operation moves from green and amber to **RED**, this is an overload notification (based on the lifting chart). This will activate the Slew Safe.

When the crane is operated in the **GREEN** and **AMBER** areas of the lifting chart, Slew Safe will remain inactive.

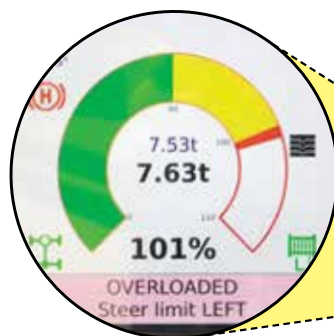
ACTIVATION OF SLEW SAFE WILL:

- Reduce speed of the steering to 15% in the unsafe direction
- Makes steering harder with instant feedback through the steering wheel to operator
- The engine will “load up” making an audible sound change for operator
- Constant audible alarm inside and outside cabin to warn operator and dogman of overload

Retains ability to move back to the safe direction for normal operation in **GREEN**.



Watch the Slew Safe demonstration << video



Australian Innovation Patent No. 2019100317

“The safety focus of the crane in the way in which it mitigates risks to stakeholders and protects staff was a significant factor that influenced our decision... I believe the TIDD Crane is becoming extensively talked about and more popular due to the safety innovations” **Rosario Giammona (Ross), Director of Vamp Cranes**

“It is safety features such as Slew Safe and additional load charts for static lifts and the other safety features which put the TIDD out in front in the pick and carry race at the moment” **Michael Yates, CREW NSW, Director**

SUPERLIFT COUNTERWEIGHT

+12% CAPACITY

The Superlift counterweight allows you to lift up to 12% heavier loads in both pick & carry and on stationary charts.

When fitted to the base of the 2.3t roadable counterweight, the optional 1.1t Superlift Counterweight simply and effectively increases the capacity of the crane.

- 1.1t allows transport to, site under 3.5t with car licence
- Operator-friendly loading system using the crane
- Proximity sensor, auto-sensing for safety
- Fast and easy to set up
- Simple to use

For further information and lift charts please refer to pages 10-11 for both Pick and Carry and Stationary charts. Other lift charts are available on request.



“The crane features are perfect for the operating conditions. The TIDD PC28-2 is narrow, tight, and ideal for confined areas but still has the lifting capacity we need” Ian Rowan, Director of QME Engineering



TYRE PRESSURE MANAGEMENT

Traction Air® manages tyre pressure to the standard 130psi on all 4 front and rear tyres, creating a stable lift platform and improving crane safety.

- Incorrect tyre pressure, over inflation or punctured tyres can put operators at risk.
- **Constant tyre pressure monitoring** with Traction Air allows operators to lift safely, and correctly every time. From a simple to use touch screen in the cab, instant leak and puncture alarms notify the operator of a change, reducing risk of serious incidents.
- **Improve safety and operator confidence.** There is no need for manual tyre pressure checks on start- up increasing valuable up time. No matter the surface temperature, even on bitumen, tyres on TIDD PC28-2 will remain at 130psi.
- Based on more than 25 years of product innovation and exclusive to TIDD PC28-2, Traction Air has a **3 year /500,000km warranty***.



LOAD CHART 66%

PICK & CARRY



	6.12	7.00	8.00	9.00	10.00	11.00	12.00	13.00	14.45	15.00	16.00	17.00	18.00	18.64
1	25000	25000	25000											
	23000	23000	23000											
	20500	20500	20500											
	17500	17500	17500											
2	20500	20500	20500	20500	20500									
	18860	18860	18860	18860	18860									
	16810	16810	16810	16810	16810									
	14350	14350	14350	14350	14350									
3	16600	16400	16400	16400	16400	16400	16000	15800						
	15270	15090	15090	15090	15090	15090	14720	14540						
	13610	13450	13450	13450	13450	13450	13120	12960						
	11620	11480	11480	11480	11480	11480	11200	11060						
4		12050	11800	11800	11800	11800	11700	11500	11400	11400				
		11090	10860	10860	10860	10860	10760	10580	10490	10490				
		9880	9680	9680	9680	9680	9590	9430	9350	9350				
		8440	8260	8260	8260	8260	8190	8050	7980	7980				
5			9500	9500	9450	9400	9350	9350	9300	9350	9400	9400		
			8740	8740	8690	8650	8600	8600	8560	8600	8650	8650		
			7790	7790	7750	7710	7670	7670	7630	7670	7710	7710		
			6650	6650	6620	6580	6550	6550	6510	6550	6580	6580		
6				7700	7700	7700	7700	7650	7600	7600	7600	7700	7800	7800
				7080	7080	7080	7080	7040	6990	6990	6990	7080	7180	7180
				6310	6310	6310	6310	6270	6230	6230	6230	6310	6400	6400
				5390	5390	5390	5390	5360	5320	5320	5320	5390	5460	5460
7					6400	6400	6400	6300	6200	6250	6300	6300	6400	6500
					5890	5890	5890	5800	5700	5750	5800	5800	5890	5980
					5250	5250	5250	5170	5080	5130	5170	5170	5250	5330
					4480	4480	4480	4410	4340	4380	4410	4410	4480	4550
8						5100	5100	5100	5100	5150	5200	5200	5250	5350
						4690	4690	4690	4690	4740	4780	4780	4830	4920
						4180	4180	4180	4180	4220	4260	4260	4310	4390
						3570	3570	3570	3570	3610	3640	3640	3680	3750
9							4450	4450	4450	4400	4450	4450	4500	4550
							4090	4090	4090	4050	4090	4090	4140	4190
							3650	3650	3650	3610	3650	3650	3690	3730
							3120	3120	3120	3080	3120	3120	3150	3190
10								3800	3800	3800	3850	3900	3950	4000
								3500	3500	3500	3540	3590	3630	3680
								3120	3120	3120	3160	3200	3240	3280
								2660	2660	2660	2700	2730	2770	2800
11									3400	3400	3450	3450	3500	3500
									3130	3130	3170	3170	3220	3220
									2790	2790	2830	2830	2870	2870
									2380	2380	2420	2420	2450	2450
12										3200	3200	3200	3200	3250
										2940	2940	2940	2940	2990
										2620	2620	2620	2620	2670
										2240	2240	2240	2240	2280
13											2800	2800	2850	2900
											2580	2580	2620	2670
											2300	2300	2340	2380
											1960	1960	2000	2030
14												2550	2550	2600
												2350	2350	2390
												2090	2090	2130
												1790	1790	1820
15													2300	2350
													2120	2160
													1890	1930
													1610	1650
15.9														2150
														1980
														1760
														1510

	Rated Capacity (kg) for 0°-10° articulation
	Rated Capacity (kg) for 11°-20° articulation
	Rated Capacity (kg) for 21°-30° articulation
	Rated Capacity (kg) for 31°-44° articulation

LOAD CHART 75%

STATIONARY



	6.12	7.00	8.00	9.00	10.00	11.00	12.00	13.00	14.45	15.00	16.00	17.00	18.00	18.64
1	27600	25000	25000											
	25390	23000	23000											
	22630	20500	20500											
	19320	17500	17500											
2	22400	22400	22400	22400	22400									
	20610	20610	20610	20610	20610									
	18370	18370	18370	18370	18370									
	15680	15680	15680	15680	15680									
3	18680	18450	18450	18450	18450	18450	18000	17780						
	17190	16970	16970	16970	16970	16970	16560	16360						
	15320	15130	15130	15130	15130	15130	14760	14580						
	13080	12920	12920	12920	12920	12920	12600	12450						
4		13560	13280	13280	13280	13280	13160	12940	12830	12830				
		12480	12220	12220	12220	12220	12110	11900	11800	11800				
		11120	10890	10890	10890	10890	10790	10610	10520	10520				
		9490	9300	9300	9300	9300	9210	9060	8980	8980				
5			10690	10690	10630	10580	10520	10520	10460	10520	10580	10580		
			9830	9830	9780	9730	9680	9680	9620	9680	9730	9730		
			8770	8770	8720	8680	8630	8630	8580	8630	8680	8680		
			7480	7480	7440	7410	7360	7360	7320	7360	7410	7410		
6				8660	8660	8660	8660	8610	8550	8550	8550	8660	8780	8780
				7970	7970	7970	7970	7920	7870	7870	7870	7970	8080	8080
				7100	7100	7100	7100	7060	7010	7010	7010	7100	7200	7200
				6060	6060	6060	6060	6030	5990	5990	5990	6060	6150	6150
7					7200	7200	7200	7090	6980	7030	7090	7090	7200	7310
					6620	6620	6620	6520	6420	6470	6520	6520	6620	6730
					5900	5900	5900	5810	5720	5760	5810	5810	5900	5990
					5040	5040	5040	4960	4890	4920	4960	4960	5040	5120
8						5740	5740	5740	5740	5790	5850	5850	5910	6020
						5280	5280	5280	5280	5330	5380	5380	5440	5540
						4710	4710	4710	4710	4750	4800	4800	4850	4940
						4020	4020	4020	4020	4050	4100	4100	4140	4210
9							5010	5010	5010	4950	5010	5010	5060	5120
							4610	4610	4610	4550	4610	4610	4660	4710
							4110	4110	4110	4060	4110	4110	4150	4200
							3510	3510	3510	3470	3510	3510	3540	3580
10								4280	4280	4280	4330	4390	4440	4500
								3940	3940	3940	3980	4040	4080	4140
								3510	3510	3510	3550	3600	3640	3690
								3000	3000	3000	3030	3070	3110	3150
11									3830	3830	3880	3880	3940	3940
									3520	3520	3570	3570	3620	3620
									3140	3140	3180	3180	3230	3230
									2680	2680	2720	2720	2760	2760
12										3600	3600	3600	3600	3660
										3310	3310	3310	3310	3370
										2950	2950	2950	2950	3000
										2520	2520	2520	2520	2560
13											3150	3150	3210	3260
											2900	2900	2950	3000
											2580	2580	2630	2670
											2210	2210	2250	2280
14												2870	2870	2930
												2640	2640	2700
												2350	2350	2400
												2010	2010	2050
15													2590	2640
													2380	2430
													2120	2160
													1810	1850
15.9														2420
														2230
														1980
														1690

Rated Capacity (kg) for 0°-10° articulation
Rated Capacity (kg) for 11°-20° articulation
Rated Capacity (kg) for 21°-30° articulation
Rated Capacity (kg) for 31°-44° articulation

SUPERLIFT LOAD CHART 66%

+12% CAPACITY - PICK & CARRY



	6.12	7.00	8.00	9.00	10.00	11.00	12.00	13.00	14.45	15.00	16.00	17.00	18.00	18.64
1	25000	25000	25000											
	23000	23000	23000											
	20500	20500	20500											
	17500	17500	17500											
2	20500	20500	20500	20500	20500									
	18860	18860	18860	18860	18860									
	16810	16810	16810	16810	16810									
	14350	14350	14350	14350	14350									
3	17550	17350	17350	17350	17350	17350	16950	16750						
	16150	15960	15960	15960	15960	15960	15590	15410						
	14390	14230	14230	14230	14230	14230	13900	13740						
	12290	12150	12150	12150	12150	12150	11870	11730						
4		13250	13000	13000	13000	13000	12900	12700	12600	12600				
		12190	11960	11960	11960	11960	11870	11680	11590	11590				
		10870	10660	10660	10660	10660	10580	10410	10330	10330				
		9280	9100	9100	9100	9100	9030	8890	8820	8820				
5			10500	10500	10450	10400	10350	10350	10300	10300	10350	10400		
			9660	9660	9610	9570	9520	9520	9480	9480	9520	9570		
			8610	8610	8570	8530	8490	8490	8450	8450	8490	8530		
			7350	7350	7320	7280	7250	7250	7210	7210	7250	7280		
6				8500	8500	8500	8500	8450	8400	8400	8400	8500	8600	8600
				7820	7820	7820	7820	7770	7730	7730	7730	7820	7910	7910
				6970	6970	6970	6970	6930	6890	6890	6890	6970	7050	7050
				5950	5950	5950	5950	5920	5880	5880	5880	5950	6020	6020
7					7100	7100	7100	7000	6900	6950	7000	7000	7100	7200
					6530	6530	6530	6440	6350	6390	6440	6440	6530	6620
					5820	5820	5820	5740	5660	5700	5740	5740	5820	5900
					4970	4970	4970	4900	4830	4870	4900	4900	4970	5040
8						5700	5700	5700	5700	5750	5800	5800	5850	5900
						5240	5240	5240	5240	5290	5340	5340	5380	5430
						4670	4670	4670	4670	4720	4760	4760	4800	4840
						3990	3990	3990	3990	4030	4060	4060	4100	4130
9							4950	4950	4950	4900	4950	4950	5000	5000
							4550	4550	4550	4510	4550	4550	4600	4600
							4060	4060	4060	4020	4060	4060	4100	4100
							3470	3470	3470	3430	3470	3470	3500	3500
10								4200	4200	4200	4250	4300	4350	4400
								3860	3860	3860	3910	3960	4000	4050
								3440	3440	3440	3490	3530	3570	3610
								2940	2940	2940	2980	3010	3050	3080
11									3800	3800	3850	3850	3900	3900
									3500	3500	3540	3540	3590	3590
									3120	3120	3160	3160	3200	3200
									2660	2660	2700	2700	2730	2730
12										3500	3500	3500	3500	3550
										3220	3220	3220	3220	3270
										2870	2870	2870	2870	2910
										2450	2450	2450	2450	2490
13											3150	3150	3200	3250
											2900	2900	2940	2990
											2580	2580	2620	2670
											2210	2210	2240	2280
14												2850	2850	2900
												2620	2620	2670
												2340	2340	2380
												2000	2000	2030
15													2650	2650
													2440	2440
													2170	2170
													1860	1860
15.9														2450
														2250
														2010
														1720

Rated Capacity (kg) for 0°-10° articulation
Rated Capacity (kg) for 11°-20° articulation
Rated Capacity (kg) for 21°-30° articulation
Rated Capacity (kg) for 31°-44° articulation

SUPERLIFT LOAD CHART 75%

+12% CAPACITY - STATIONARY



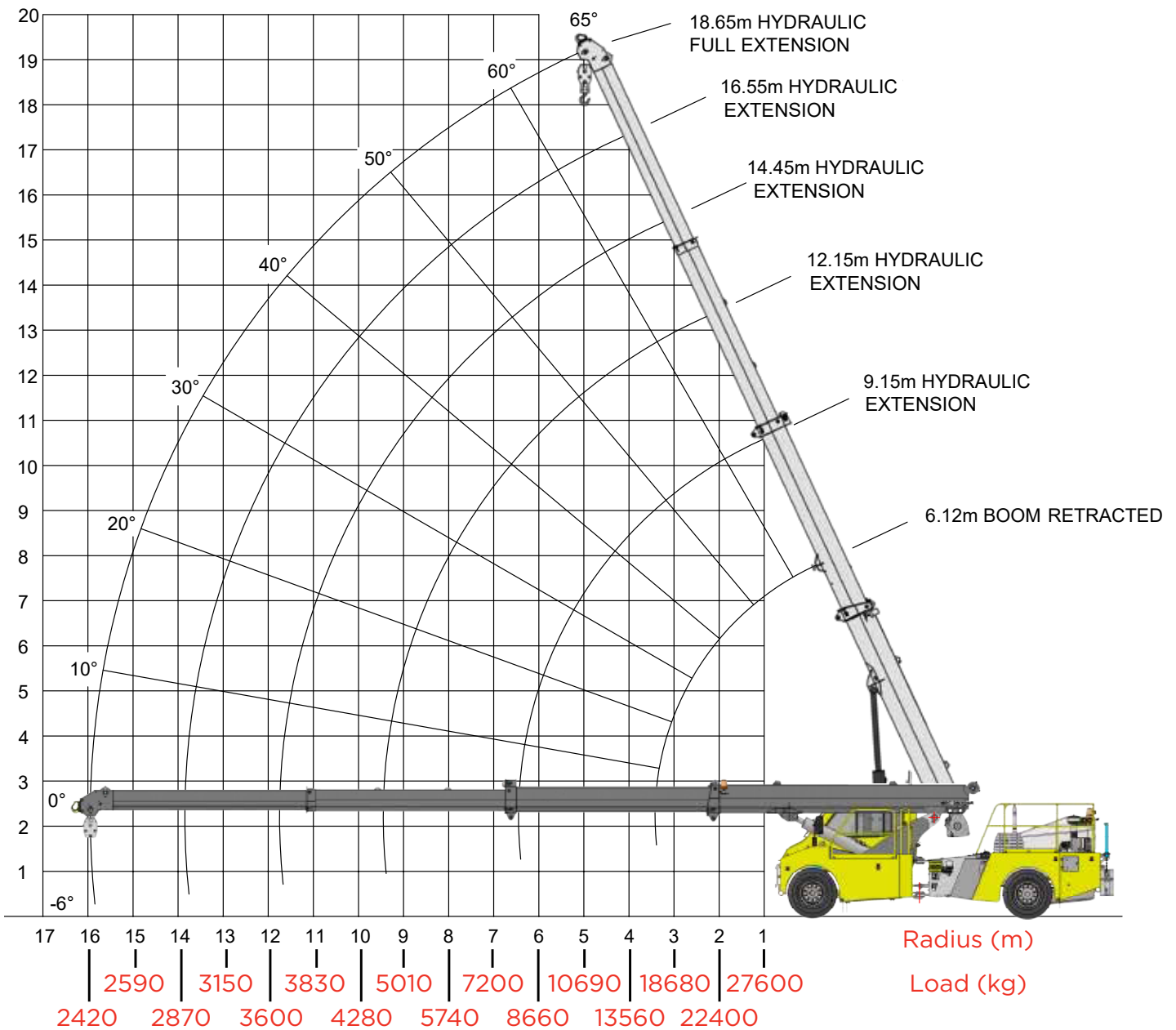
	6.12	7.00	8.00	9.00	10.00	11.00	12.00	13.00	14.45	15.00	16.00	17.00	18.00	18.64
1	27600	25000	25000											
	25392	23000	23000											
	22632	20500	20500											
	19320	17500	17500											
2	22400	22400	22400	22400	22400									
	20608	20608	20608	20608	20608									
	18368	18368	18368	18368	18368									
	15680	15680	15680	15680	15680									
3	19744	19519	19519	19519	19519	19519	19069	18844						
	18160	17960	17960	17960	17960	17960	17540	17340						
	16190	16010	16010	16010	16010	16010	15640	15450						
	13821	13663	13663	13663	13663	13663	13348	13191						
4		14910	14630	14630	14630	14630	14510	14290	14180	14180				
		13720	13460	13460	13460	13460	13350	13150	13050	13050				
		12230	12000	12000	12000	12000	11900	11720	11630	11630				
		10440	10240	10240	10240	10240	10160	10000	9930	9930				
5			11810	11810	11760	11700	11640	11640	11590	11590	11640	11700		
			10870	10870	10820	10760	10710	10710	10660	10660	10710	10760		
			9680	9680	9640	9590	9540	9540	9500	9500	9540	9590		
			8270	8270	8230	8190	8150	8150	8110	8110	8150	8190		
6				9560	9560	9560	9560	9510	9450	9450	9450	9560	9680	9680
				8800	8800	8800	8800	8750	8690	8690	8690	8800	8910	8910
				7840	7840	7840	7840	7800	7750	7750	7750	7840	7940	7940
				6690	6690	6690	6690	6660	6620	6620	6620	6690	6780	6780
7					7990	7990	7990	7880	7760	7820	7880	7880	7990	8100
					7350	7350	7350	7250	7140	7190	7250	7250	7350	7450
					6550	6550	6550	6460	6360	6410	6460	6460	6550	6640
					5590	5590	5590	5520	5430	5470	5520	5520	5590	5670
8						6410	6410	6410	6410	6470	6530	6530	6580	6640
						5900	5900	5900	5900	5950	6010	6010	6050	6110
						5260	5260	5260	5260	5310	5350	5350	5400	5440
						4490	4490	4490	4490	4530	4570	4570	4610	4650
9							5570	5570	5570	5510	5570	5570	5630	5630
							5120	5120	5120	5070	5120	5120	5180	5180
							4570	4570	4570	4520	4570	4570	4620	4620
							3900	3900	3900	3860	3900	3900	3940	3940
10								4730	4730	4730	4780	4840	4890	4950
								4350	4350	4350	4400	4450	4500	4550
								3880	3880	3880	3920	3970	4010	4060
								3310	3310	3310	3350	3390	3420	3470
11									4280	4280	4330	4330	4390	4390
									3940	3940	3980	3980	4040	4040
									3510	3510	3550	3550	3600	3600
									3000	3000	3030	3030	3070	3070
12										3940	3940	3940	3940	3990
										3620	3620	3620	3620	3670
										3230	3230	3230	3230	3270
										2760	2760	2760	2760	2790
13											3540	3540	3600	3660
											3260	3260	3310	3370
											2900	2900	2950	3000
											2480	2480	2520	2560
14												3210	3210	3260
												2950	2950	3000
												2630	2630	2670
												2250	2250	2280
15													2980	2980
													2740	2740
													2440	2440
													2090	2090
15.9														2760
														2540
														2260
														1930

Rated Capacity (kg) for 0°-10° articulation
Rated Capacity (kg) for 11°-20° articulation
Rated Capacity (kg) for 21°-30° articulation
Rated Capacity (kg) for 31°-44° articulation

WORKING RANGE

WITH COUNTERWEIGHT ON REAR

TIDD
CRANE IIII



NOTE: Rated capacity values shown are for the stationary chart on the hook.

AFTER SALES SUPPORT

TRT is proud to manufacture the TIDD PC28-2, and we are committed to supporting our product for its warranty and beyond. The team of highly experienced TIDD service technicians and agents are available to assist operators, fleet owners and workshops with training, advice, documentation and product upgrades.

PARTS

TRT stocks genuine spare parts for the TIDD PC28-2 in Australia and New Zealand. We can easily arrange overnight freight for all spares and service items to ensure the Crane is returned to service with minimal downtime.

TRT reserves the right to alter specifications without notice. Photographs and drawings in this document are for illustrative purposes only. Product shown in photos contains optional features. TRT in so far as it is permitted by law to do so, shall not be liable in any way as a result of any reliance by any person on anything contained in this brochure. Please contact us for current and detailed specifications. TRT (Aust) Pty Ltd / Tidd Ross Todd Ltd is the manufacturer of the TIDD PC28-2.

8092022

TRT
DESIGNED &
MANUFACTURED

TRT Australia
1028 Lytton Road, Murarrie, QLD 4172
Phone: +61 7 3890 8800
Email: cranesales@trtaust.com.au
www.trtaustralia.com.au

TRT New Zealand
48 Maui Street, Puketere Industrial Estate
P.O. Box 10076, Te Rapa, Hamilton 3241
Phone: +64 7 849 4839 Email: cranesales@trt.co.nz
www.trt.co.nz